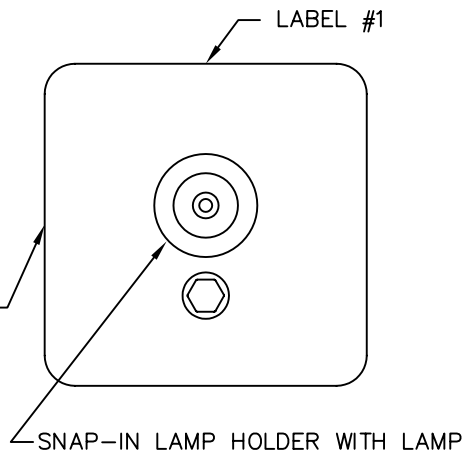
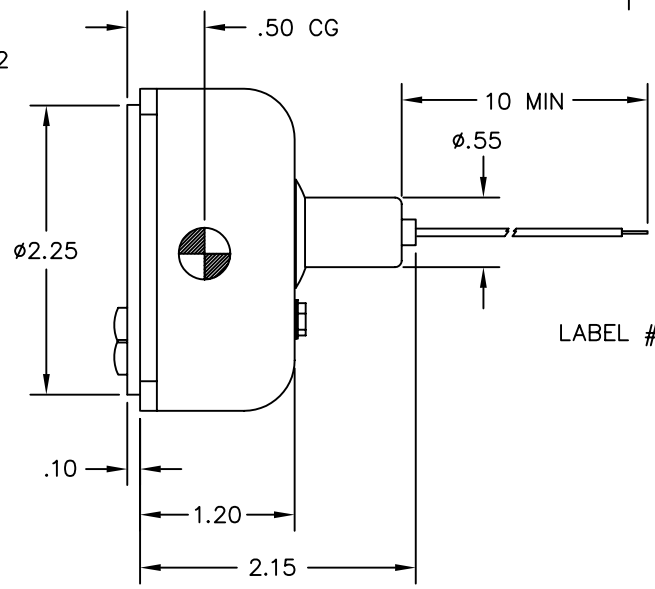
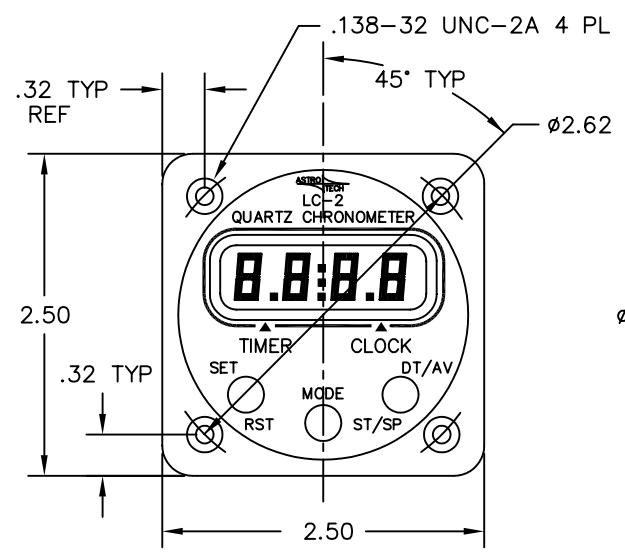
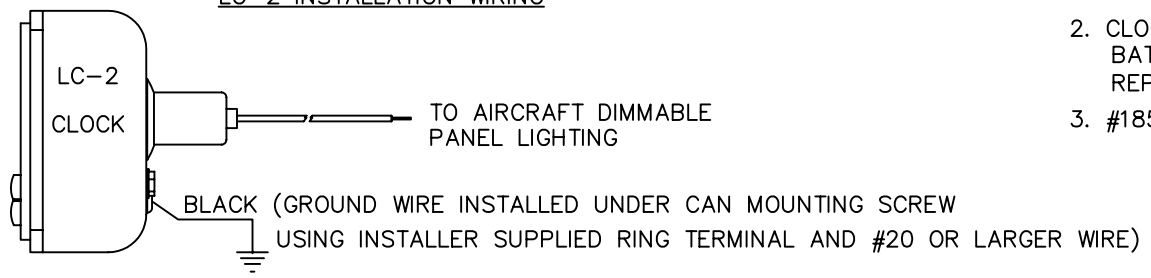


REVISIONS				
ZONE	REV	DESCRIPTION	DATE	APPROVED
	-	INITIAL RELEASE	1/22/97	JD
	A	ECO #12311		



LAMP TYPE	VOLTS	MAX AMPS
#1850	5	.1
#53	14	.15
#1819	28	.05

LC-2 INSTALLATION WIRING



NOTES:

1. WEIGHT: .25 POUNDS
2. CLOCK OPERATION FROM INTERNAL "AAA" SIZE BATTERY. BATTERY SHOULD BE REPLACED EVERY TWO YEARS. REPLACEMENT BATTERY IS "AAA" SIZE ALKALINE.
3. #1850 LAMP IS OPTIONAL

Aerospace Display Systems, Inc. Hatfield, PA 19440			
SIZE B	FSCM NO. 65907	DWG NO. AT420100	REV A
SCALE NONE	420100-2	SHEET 2	OF 2

65907 DWG NO AT420100 SHEET 2 REV A